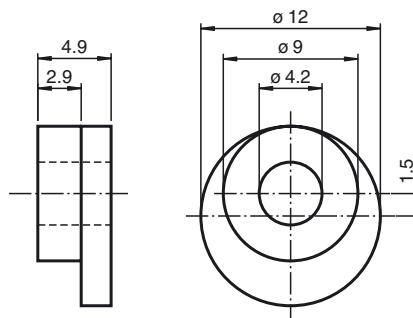




Dimensions



Model Number

9311

Mounting set for the mounting bracket
9300

Technical data

General information

Scope of delivery	4 screws M4 x 12 3 screws M4 x 10 7 washers 4.3 mm 3 Synchro clamping element 3 cylinder head screws M4 x 35 3 hexagon nuts M4
-------------------	---